

VPS-400D/DP



1-M/E Hybrid Video Switcher

The Element of Excellence

The VPS-400D/DP is a compact powerful digital video mixer offering 8 standard maximum serial digital component inputs, as well as analog input options. Two functioned keyers and free assignable layer control allows operators to apply WIPE, and integrated DVE transitions independently to different signal layers. control panel, designed for quick and direct access to major functions supported by pop-up menu (performed by simply pressing-and-holding buttons), look-ahead pre-memory systems and two internal still stores for unlimited creativity makes the VPS-400D/DP ideal for the highest quality in both post-production and live applications.



High Performance

- ◆ 10-bit digital component switcher with 4:2:2:4 processing.
- ◆ Optionally add either the VPS-400DI or one of the analog input configurations. The analog input table (see back page) shows many ways how separately sold accessories will help expand up to 16 inputs.
- ◆ Floating DVE to freely apply 3D effects to background, key 1, key 2, key wipe, or forced background operations when VPS-310T3D DVE option installed.
- ◆ Built-in disk drive to upload/download operational and event/sequence data in addition to downloading graphic files for image source use.
- ◆ 100 event as well as 20 sequence internal memories.
- ◆ Map design background patterns or primary video input to wipe borders.
- ◆ 41 design backgrounds standard in addition to color matt background.
- ◆ Capture and store up to 2 still images for use when multi-layering video. (Recall as free assigned bus selections.)

Convenience

- ◆ Background video, keyer 1, and keyer 2 fader transition as dissolve, wipe, or 3D EFFECT.
- ◆ Independently or simultaneously apply color, and adjust hardness/softness of key edge and drop shadow.
- ◆ 80 digital wipe patterns standard, including special patterns such as circle, heart, and clock.
- ◆ Spin, tilt, or multi-wipe functions for wipe patterns.
- ◆ 250 preprogrammed digital effects (including polygon), plus 3D effects user programming capability, when both DVE effects options installed (VPS-310T3D & VPS-310EX).
- ◆ Free assign primary and optional video inputs, captured stills (2 ea.), internally generated signals (matt etc.).
- ◆ Large graphics display.



Specifications

Standard	525/60 (NTSC) or 625/50 (PAL)
Signal Processing	4:2:2-4 digital component, 10 bit
Inputs	(* Up to 16 inputs possible with option installed.)
Video	Serial digital component, 8 ea. (std.)/16 ea. (w/option), 75Ω, BNC Analog composite (option): 1.0Vp-p, 75Ω, BNC Analog component (option): Y: 1.0Vp-p, P _u /P _v : 0.7Vp-p, 75Ω, BNC
Genlock	Black burst, 0.429 (NTSC) / 0.45 (PAL), 1 ea., 75Ω, or loop-through, BNC
Outputs Video	Serial digital component, PGM/PREV, 1 ea., 75Ω, BNC
Monitor	Analog composite, 1.0Vp-p, 1 ea., 75Ω, BNC (PGM/PREV)
Input/Output Delay	1 frame (minimum delay time 15H)
Frequency Response	Composite Y: 5.5MHz, -3dB; C: 3.58MHz±0.5MHz, -3dB (NTSC) Y: 5.5MHz, -3dB; C: 4.43MHz±0.5MHz, -3dB (PAL) Component Y: 5.5MHz, -3dB; P _u /P _v : 2.5MHz, -3dB
Sampling Frequency	Y: 13.5MHz, C: 6.75MHz, Key: 13.5MHz
Quantization	10-bit

DG / DP	2°/2%
K Factor (2T)	2%
S/N Ratio	Better than 56dB (random noise)
Disk Drives	3.5" floppy disk (built into control panel)
Interfaces	Editor: RS-422, 9-pin D-sub (GVG-100), RS-232C: 9-pin D-sub (for factory maintenance only), AFV: 9-pin D-sub (N/A), GPI: 15-pin D-sub, Tally out: 37-pin D-sub
Temperature	10 - 40 °C
Humidity	30 - 90 % (no condensation)
Power	100VAC - 120VAC or 220VAC - 240VAC ±10%, 50/60 Hz
Consumption	Approx. 450 VA (MU w/ full options), 50VA (OU)
Dimensions	430 (W) x 265 (H) x 550 (D) mm (MU), 430 (W) x 163 (H) x 354 (D) mm (OU)
Options	VPS-310T3D and VPS-310EX (user programming and preprogrammed effects), VPS-400CK Chroma Key, 8-input expansion unit (select one of following): Serial digital component, analog component, analog composite, or mixed analog component/composite (video/key all analog) (* Signal specs, shown for digital signal only.)

Options

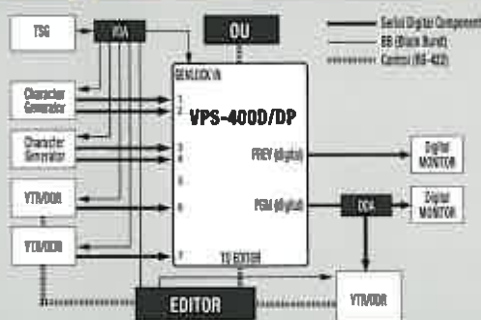
As the table shows, the following accessories form various combinations for analog/digital expansions and support.

- VPS-400AIB Buffer board
- VPS-400AIS 2 analog composite + 2 key inputs (with frame synchronizer included)
- VPS-400AIN 2 analog component + 2 key inputs (with no frame synchronizer)

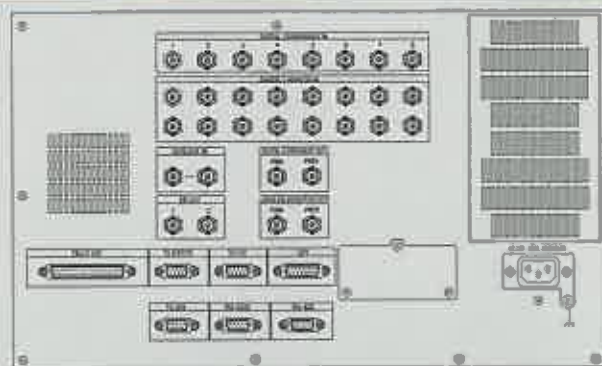
Input Boards	Composite Input	Component Input	Key Input
AIB + AIS		2	2
AIB + AIN		2	2
AIB + AIS + AIS	4		4
AIB + AIN + AIN		4	4
AIB + AIS + AIN	2	2	4

- VPS-400DI 8 serial digital component inputs
- VPS-310T3D 3D DVE adds user warp program capability (200 patterns)
- VPS-310EX Adds 50 preprogrammed effects
- VPS-400CK Chroma keyer

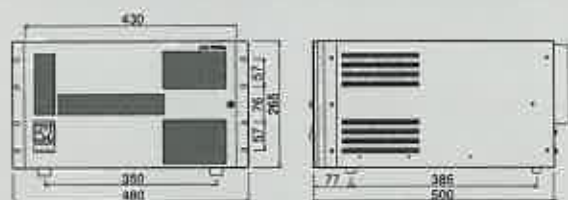
System Diagram



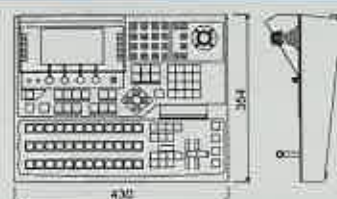
Rear Panel



MU Dimensions



OU Dimensions



FOR-A COMPANY LIMITED

Head Office: 3-8-1 Ebisu, Shibuya-ku, Tokyo 150-0013, Japan
 FOR-A UK Limited: Heritage House, 21 Inner Park Rd., London SW19 6ED, UK
 FOR-A Italia S.r.l.: Viale Europa 50 20093, Cologno Monzese (MI), Milan, Italy
 FOR-A America Corporate Office: 2400 N.E. Waldo Road, Gainesville, FL 32609, U.S.A.
 FOR-A America West Coast Office: 11125 Knott Ave., Cypress, CA 90630, U.S.A.
 FOR-A America Central/Southern Office: 8434 Gentlewood Court Houston, Texas 77095, U.S.A.
 FOR-A America East Coast Office: 1065 Avenue of the Americas Suite #1701A New York, NY 10018, U.S.A.
 FOR-A Corporation of Canada: 425 Queen St. W. #210, Toronto, Ontario M5V 2A5, Canada
 FOR-A Middle East & Africa Sales Office: PO Box 218 Tunstead, Norwich ME0, NR12 8RG, UK

Homepage: <http://www.for-a.co.jp/>

+81 (0)3-3446-3936 Fax: +81 (0)3-3446-1470
 +44 (0)20-8788-7664 Fax: +44 (0)20-8788-7435
 +39 02-254-3635/6 Fax: +39 02-254-0477
 +1 352-371-1505 Fax: +1 352-378-5320
 +1 714-894-3311 Fax: +1 714-894-5399
 +1 281-550-7521 Fax: +1 281-550-5721
 +1 212-861-2758 Fax: +1 212-861-2793
 +1 416-977-0343 Fax: +1 416-977-0657
 +44 (0)16-9253-5005 Fax: +44 (0)16-9253-5000

